



RAINBOW™ CHLORINE / BROMINE HIGH CAPACITY COMMERCIAL FEEDER

MODELS: HC 3315, 3330 AND 3340

FEATURES:

- Extra large capacity models.
- For use with Trichlor or Bromine tablets.
- No special venting required.
- Completely enclosed - no escaping gases.
- Positive external no-clog control valve.
- No equipment damage. Feeds sanitizer directly to pool.
- NSF 50 Certified when paired with flow rate indicator (such as P/N R172082) installed on inlet line.



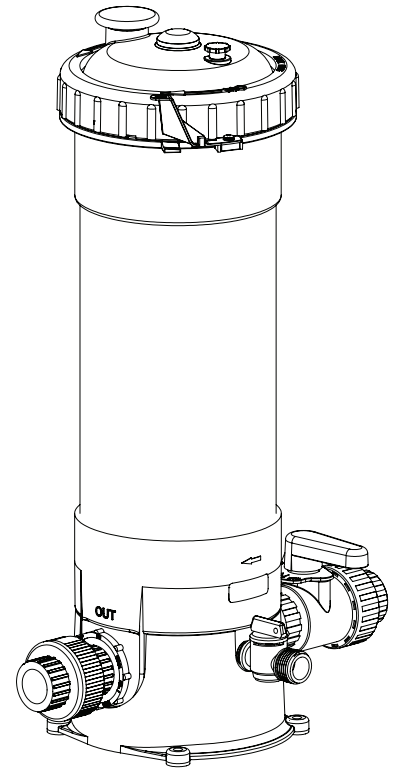
DANGER

READ CAREFULLY.

It is important to read all information **BEFORE** proceeding with the installation. The information will guide you in installing your feeder properly and avoiding problems due to improper installation. **IF INSTRUCTIONS ARE NOT FOLLOWED FIRE OR TANK SEPARATION MAY RESULT, CAUSING PROPERTY DAMAGE AND/OR PERSONAL INJURY.**

IF YOUR POOL HAS COPPER PLUMBING...STOP! Never Install feeder into copper plumbing as pipe damage may occur.

NOTE: If a heater is used, a **FIREMAN'S SWITCH** or equivalent must be installed to prevent possible damage and improper operation of CHECK VALVE and other equipment subject to heat damage.



INSTALLATION

This feeder is designed for hard plumbing installation using 1" PVC pipe and includes standard threaded inlet and outlet fittings. It operates by pressure differential which circulates through the feeder. The inlet line (control valve side of feeder), connects to the plumbing between the pump and filter. The outlet side of the feeder connects to pool return line after the filter and/or heater, pool cleaner, diverter valves or any other piece of equipment (if installed). A corrosion resistant check valve such as Rainbow's R172288 should be installed between the feeder inlet and outlet and the equipment to help prevent equipment damage. **DAMAGE TO THE HEATER OR OTHER EQUIPMENT COULD RESULT FROM A HIGH CONCENTRATION OF SANITIZER BACK FLOWING INTO IT WHEN PUMP IS SHUT OFF.** It is recommended that feeder be bolted down.

OPERATING INSTRUCTIONS

Exercise extreme caution when operating or servicing feeder. **NEVER OPEN FEEDER WHEN PUMP IS RUNNING. DO NOT INHALE FUMES**, especially in hot weather which can create more gases. Wear protective gear. Follow chemical manufacturer's instructions for handling the chemical. Before start up of feeder your pool should be properly conditioned and the chlorine residual should be 1.0 to 1.5 ppm (Bromine 2.0 to 4.0 ppm). Consult your local dealer for water conditioning information in your area. Because the sanitizer demand in your pool is dependent on many factors (sunlight, high temperatures, bather load, etc.) your valve setting may have to be changed from time to time to adjust to these conditions. When possible, increase the feed rate a day or two in advance. The recommended start up setting is #1. Use a test kit to determine the sanitizer residual. It is recommended that the sanitizer residual be checked daily for the first 5 days to find the ideal setting. **NOTE:** Higher numbers dispense more chemical. Small gradual changes are imperative for control.



DANGER

READ CAREFULLY.

This feeder is designed to use only **CLEAN** Trichlor-s-trizinetriene OR **CLEAN** Bromine tablets - slow dissolving type. Never use dirty tablets. **UNDER NO CIRCUMSTANCES MIX** Trichlor or Bromine with Calcium Hypochlorite, with other forms of concentrated chlorine or with other chemicals. Keep inside of feeder clean of dirt and debris at all times. **FIRE AND/OR TANK SEPARATION MAY RESULT.**



NEVER use oils or grease to lubricate o-ring. Oil in contact with Trichlor OR Bromine may result in **FIRE**. Lubricate o-ring with Lifeguard Silicone o-ring Lubricant **ONLY**, available at your dealers. If shock treatments or Algacides containing chemicals other than sanitizers tablets in feeder must be used, turn off Feeder OR remove tablets until the shock or Algae treatment is complete and all granules have dissolved. Failure to do so may result in granules mixing in feeder causing **FIRE AND/OR TANK SEPARATION**. The shock or algae treatment dissolved in water is safe with tablets. If you are not the original owner of this feeder, not sure which chemicals was used, or if dirt and/or debris inside feeder, be **SAFE** and flush thoroughly with fresh water. **CAUTION SHOULD BE USED WHEN REMOVING CAP. DO NOT INHALE FUMES.**

CALCIUM HYPOCHLORITE IS NOT TO BE USED IN ANY FORM. Use of chemicals other than those recommended by manufacturer may be hazardous.

CHARGING INSTRUCTIONS

Exercise extreme caution when operating or servicing feeder. DO NOT INHALE FUMES, especially in hot weather which can create more gases. Wear protective gear. Follow chemical manufacturer's instructions for handling the chemical.

1. Shut off pump and close control valve. Wait one minute. If feeder is below water level, before opening drain valve, be sure to close any inline valve(s) to prevent back flow. Open vent valve on top of lid. Open drain valve on bottom of feeder. (Always drain water into plastic container and then pour contents back into pool.)
2. Close drain valve. Then depress lock spring and unscrew lock ring counter-clockwise. Remove the lid and fill with proper size chlorine or bromine slow-dissolve tablets.
3. Before replacing lid, clean and lubricate o-ring with Lifeguard Silicone Lubricant only. Push lid firmly into position. Close vent valve. Thread on lock ring clockwise until lock spring snaps into place. Do not force lock ring past lock spring.
4. Open any inline valve(s) and turn on pump and timer switches.
5. Adjust control valve to desired setting.

WARNING During no flow through feeder, potential for elevated chemical concentrations and hazardous gas introduction exists.

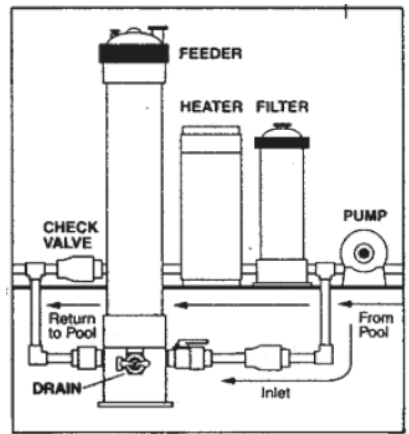
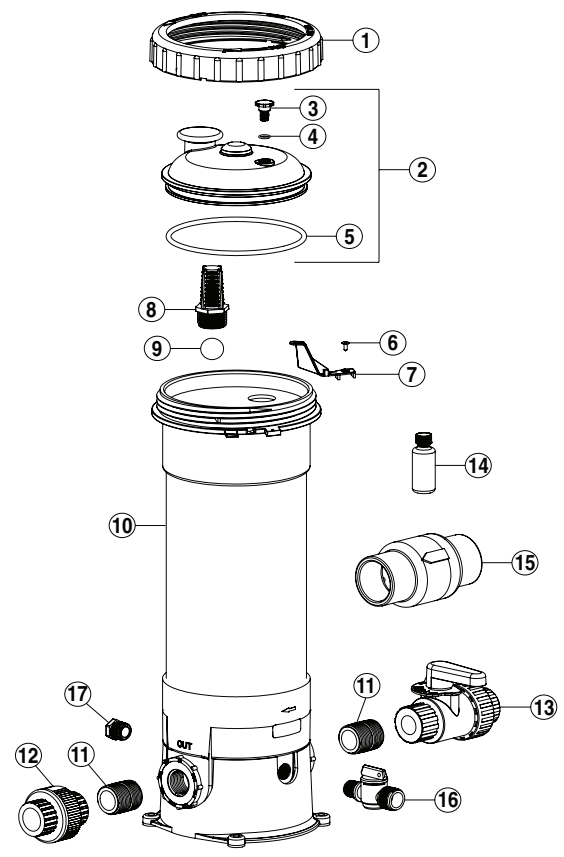
NOTE: If isolation valves are used anywhere in the system, you must remember to open them before start-up. To prevent gas buildup in the feeder, be sure to keep return line valve(s) open, except when operating or servicing unit. Close control valve when adding other chemicals to your pool, vacuuming, backwashing or adding D.E. to filter.

WINTERIZING

If feeder is subject to freezing, drain all water from chamber. Carefully remove any undissolved tablets. Rinse out feeder with water, replace lid with vent valve slightly open and keep unit covered all winter.

PARTS LIST

Item	Qty.	Part No.	Description
1	1	R172214	Lock Ring
2	1	R172385D	Lid Assembly
3	1	R172224X	Vent Valve
4	1	R172221	O-Ring, Valve
5	1	R172240	O-Ring, Lid to Housing
6	1	R172375	Lock Screw
7	1	R172374	Lock Spring
8	1	R175251	Screen
9	1	R172435	Check Ball
10	1	R172436	Housing w/stand, HC 3315
10	1	R172437	Housing w/stand, HC 3330
10	1	R172438	Housing w/stand, HC 3340
11	2	R270484	1" Close Nipple
12	1	R270531	1" Threaded Union
13	1	R172439	Control Valve
14	1	R172036	Silicone Lubricant
15	Optional	R172288	1-1/2" - 2" Check Valve
16	1	R175009	1/2" Drain Valve
17	1	R172134	1/2" Threaded Plug
-	Optional	R172082	Flow Rate Indicator



PERFORMANCE DATA SPECIFICATION*

MODEL	Capacity (Lbs.)	Tested Flow Rate @ 100% Setting (GPM)	Output Rate (lbs/hr) @ 100% Setting*				Maximum Pool Size (10PPM) @ 34 GPM	Cl Tested Flow Rate @ 50% Setting (GPM)		Output Rate (lbs/hr) @ 50% Setting*		Br Tested Flow Rate @ 50% Setting (GPM)		Output Rate (lbs/hr) @ 50% Setting*	
			Cl-Pool	Cl-Spa	Br-Pool	Br-Spa		Trichlor	Bromine	Cl-Pool	Cl-Spa	Br-Pool	Br-Spa		
HC-3315	15	34	2.8	4.8	0.5	1.0	224,000	38,690	17.8	2.1	1.8	25	0.4	0.6	
HC-3330	30	34	4.6	7.9	1.1	2.2	369,000	65,556	17.8	3.4	3.0	25	0.8	1.2	
HC-3340	40	11.5	3.0	5.7	0.6	1.4	658,533	105,176	9.2	2.6	5.4	9	0.5	1.2	

Maximum Working Pressure - 50 PSI
 Output rating for Bromine is not NSF certified.
 * Results based on use of 1" BioGuard® bromine tablets and 1" Trichlor-S-Triazinetrione chlorine tablets.

1620 HAWKINS AVE., SANFORD, NC 27330 • (919) 566-8000
 10951 WEST LOS ANGELES AVE., MOORPARK, CA 93021 • (805) 553-5000
 WWW.PENTAIR.COM

All indicated Pentair trademarks and logos are property of Pentair Inc. or its global affiliates in the U.S.A. and/or other countries. Third party registered and unregistered trademarks and logos are the property of their respective owners.

© 2020 Pentair. All rights reserved. This document is subject to change without notice.



P/N R24001 REV. D 6/2020