

9" SQUARE RETROFIT MOFLOW[™] SUCTION OUTLET COVER WITH SCREW AND BUSHING KIT

VGB Series

The AquaStar line of suction outlet covers, compliant with the Virginia Graeme-Baker Pool and Spa Safety Act (ANSI/APSP 16-2011 and NSF/ANSI 50-2009a)

FEATURES

For single or multiple drain use
3" sump depth / min. 2½" pipe
(see installation instructions)

Single –

Floor: 258 GPM at 2.3 fps
Wall: 274 GPM at 2.5 fps

Floor/wall: 167.4 GPM at 1.5 fps
Floor/wall: 111.6 GPM at 1.0 fps

35.8 square inch opening

Trademarked VGB compliance button easily identifies VGB 2008 compliant cover from on deck and underwater

#316 stainless steel screws

Manufactured from superior UV-resistant engineered polymers

Easily and safely retrofits to most brands' 1" deep existing frames

All components (cover, sump, screws) meet or exceed ANSI/APSP 16-2011 and NSF/ANSI 50-2009a national standards and ASTM G154 UV testing exposure

Replace every five years from the date of installation

6 per case



Fits: AquaStar "R" 9" models, Hayward, Waterway, American (Pentair #2 selling), PacFab with 1" deep existing frames and four screw hole pattern

U.S. patent D623728

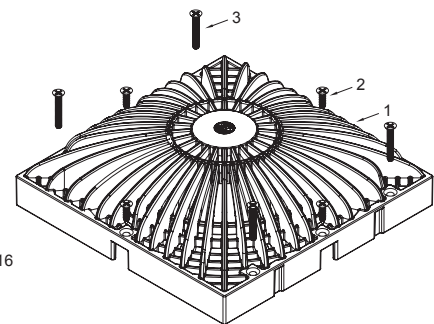
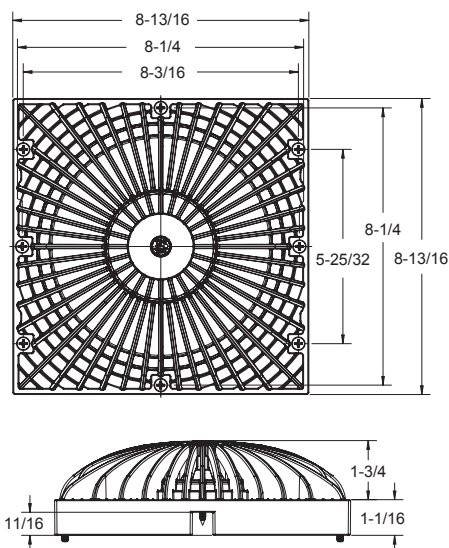
Part # R9MFxxx

STANDARD COLORS

- R9MF101 – White
- R9MF102 – Black
- R9MF103 – Light Gray
- R9MF104 – Blue
- R9MF105 – Dark Gray
- R9MF108 – Tan

Replaces RFS9xxx

VGB 2008 Compliant



1. 9" square retrofit MoFlow suction outlet cover
2. 10-24 x 1-1/4" lg flat head Phillips machine screw, 316 ss, qty 4
3. #10 x 1" lg flat head Phillips Type A screw, 316 ss, qty 4